

Westinghouse

Types MC, M, MF and MS

Auxiliary Relays

INSTRUCTION BOOK



Westinghouse Electric & Manufacturing Company
Newark Works

Newark, N. J.

I. B. 5320-C

Combinations and Ratings

TYPE MC MULTIPLE-CONTACT AUXILIARY RELAYS

Style Number for Type MC Relays—Glass Cover 4 Independent Circuits				Style Number for Type MC Relays—Metal Cover 6 Contact Circuits				External Series Resistance Style Number	Type MC Relay Coil Data			
Circuits 4-Make *Fig. 11	Circuits 3-Make 1-Break Fig. 12	Circuits 2-Make 2-Break Fig. 13	Circuits 1-Make 3-Break Fig. 14	5-Parallel Circuits Closing 1-Circuit Opening Fig. 15	1-Circuit Closing 5-Parallel Circuits Opening Fig. 16	4-Parallel and 1 Independent Circuits Made Fig. 17	6-Parallel Circuits Made Fig. 18		Coil Style Number	Resistance 25 °C. Ohms.	Standard Minimum Operating Setting	Name plate Rating
423387	423403	423419	423435	423499	423451	423467	423483	None	372517	0.07	4.2 Amp. D-C.	8 Amp. D-C.
423388	423404	423420	423436	374992	423452	423468	423484	None	476903	9.00	5.0 V. D-C.	8 V. D-C.
423389	423405	423421	423437	374993	423453	423469	423485	None	372518	26.00	7.5 V. D-C.	12 V. D-C.
423390	423406	423422	423438	374994	423454	423470	423486	None	372519	36.00	10.0 V. D-C.	16 V. D-C.
423391	423407	423423	423439	374995	423455	423471	423487	None	476906	81.00	15.0 V. D-C.	25 V. D-C.
477263	477264	477265	477266	477303	477307	477315	477311	None	333370	143.0	20. V. D-C.	32 V. D-C.
423392	423408	423424	423440	374996	423456	423472	423488	None	333364	365.0	30. V. D-C.	5 V. D-C.
477267	477268	477269	477270	374997	477308	477316	477312	None	476908	640.0	35. V. D-C.	62 V. D-C.
477271	477272	477273	477274	477305	477309	477317	477313	None	476909	1550.	60. V. D-C.	110 V. D-C.
423393	423409	423425	423441	374997	423457	423473	423489	None	374893	2500.	79. V. D-C.	125 V. D-C.
477275	477276	477277	477278	477306	477310	477318	477314	78994-C	374893	2500.	125. V. D-C.	250 V. D-C.
477279	477280	477281	477282	477319	477325	477337	477331	None	476906	81.0	35.0 V-25 Cy.	62 V-25 Cy.
423394	423410	423426	423442	374998	423458	423474	423490	None	476907	270.0	69.0 V-25 Cy.	110 V-25 Cy.
477283	477284	477285	477286	477320	477326	477338	477332	None	333364	365.0	70.0 V-25 Cy.	130 V-25 Cy.
423397	423413	423429	423445	375001	423461	423477	423493	None	476909	1550.	149.0 V-25 Cy.	220 V-25 Cy.
423400	423416	423432	423448	375004	423464	423480	423496	78997-C	374893	2500.	270.0 V-25 Cy.	440 V-25 Cy.
477287	477288	477289	477290	477321	477327	477339	477333	None	372518	26.	35. V-50 Cy.	62 V-50 Cy.
423395	423411	423427	423443	374999	423459	423475	423491	None	476906	81.	60. V-50 Cy.	110 V-50 Cy.
477291	477292	477293	477294	477322	477328	477340	477334	None	333370	143.0	70. V-50 Cy.	130 V-50 Cy.
423398	423414	423430	423446	375002	423462	423478	423494	None	333364	365.0	140. V-50 Cy.	220 V-50 Cy.
423401	423417	423433	423449	375005	423465	423481	423497	None	476909	1550.	270. V-50 Cy.	440 V-50 Cy.
477295	477296	477297	477298	477323	477329	477341	477335	None	476904	16.0	35. V-60 Cy.	62 V-60 Cy.
423396	423412	423428	423444	375000	423460	423476	423492	None	476905	57.0	60. V-60 Cy.	110 V-60 Cy.
477299	477300	477301	477302	477324	477330	477342	477336	None	476906	81.0	70. V-60 Cy.	130 V-60 Cy.
423399	423415	423431	423447	375003	423463	423479	423495	None	476907	270.	140. V-60 Cy.	220 V-60 Cy.
423402	423418	423434	423450	375006	423466	423482	423498	None	333360	920.	270. V-60 Cy.	440 V-60 Cy.

TABLE 1

TYPE M MULTIPLE-CONTACT AUXILIARY RELAYS (Intermittent Service—D-C. Only)

Style Numbers for Type M Relays			Type M Relay Coil Data			
Glass Cover		Iron Cover	Coil Style Number	Name plate Rating (Intermittent Duty)	Resistance (Cold) Ohms	Standard Minimum Operating Setting Volts
Circuits 2-Make Independent *Fig. 22	Circuits 4-Make Parallel Fig. 23	Circuits 6-Make Parallel Fig. 18				
423871	423875	304791	315983	12 V. D-C.	3.1	7.0
None	None	None	438148	24 V. D-C.	12.2	14.0
423874	423878	311005	315941	50 V. D-C.	51.0	30.0
423872	423876	304792	315969	125 V. D-C.	305.0	75.0
423873	423877	304793	315940	250 V. D-C.	970.0	150.0

TABLE 2

TYPE MF FLASH-OVER RELAY

Relay Style Number 420545	Contact Circuits 1-Make 1-Break	Coil Data			
		Style No. 495992	Max. Cont. 100 Amp.	Impedance 60 Cy.-Open Gap .00331 Ohms	Standard Minimum Operation Settings 100 Amp.

TABLE 3

TYPE MS BANKED MULTIPLE-CONTACT RELAYS

Relay Style Number	Name plate Rating	Coil Data
439233	50 V. D-C.	{ Same as MC Relays of same rating }
407272	16 V. D-C.	

TABLE 4

*Refers to this instruction book.

Westinghouse

Types MC, M, MF and MS

Auxiliary Relays

General Information

Auxiliary Relays—In many of the present day relay schemes for protection or control work, so many exacting functions are required of the relays used that it is impractical to try to incorporate all the features necessary for the proper operation of the scheme in question in one relay. The relays which are primarily responsible for setting the scheme in action must necessarily be highly sensitive and delicately constructed instruments. A certain degree of ruggedness must be incorporated in the construction of any relay, yet if the moving parts are such as will give the necessary sensitivity, it is very difficult to design them to operate contacts sufficiently large to carry the amount of current sometimes required in the control circuit, or for carrying the required number of contacts necessary for the number of control circuits to be actuated. These difficulties have introduced another link into the relay chain which is known as the auxiliary or secondary relay. Although this auxiliary relay must be dependable and positive in its action, as the success of the entire scheme may depend upon its operation yet its construction can be made more flexible, inasmuch as it can be given a definite amount of energy to operate on, at all times, and certain characteristics such as time delay, inverse time, etc., are not necessary. Such a relay may be made to operate several different contacts, or different arrangements of contacts, and also carry contacts sufficiently large to handle control current of the desired magnitude.

Uses of Auxiliary Relays—The use of auxiliary relays may be grouped under three headings:

First, the energization of multiple control circuits.

Second, to furnish contact capacity for control circuits requiring current higher than can be safely handled by primary relay contacts.

Third, to obtain a various assortment of contact arrangements such as opening several circuits and closing several cir-

cuits when energized, as is necessary in control work.

The auxiliary relays are designed to accomplish these requirements, operating when their coils are energized by the closure of the primary relay contacts.

Types—The types included in the Westinghouse M line of auxiliary multi-contact relays are as follows:

(a) The type MC relay is suitable for either a-c. or d-c. service, and is supplied with eight different contact arrangements as shown in table 1.

(b) The type M multiple contact auxiliary relay is similar to the type MC except that its operating parts are simplified and all contacts are in parallel, making it less expensive. It is suitable for intermittent d-c. service only.

(c) The type MF Flash relay is a slight modification of the type MC, made for a special application.

(d) The type MS multiple contact relay is a group of type MC elements mounted in a (single) case, thus supplying a number of contactors in a compact arrangement.

Installation

In the handling of all relays, it should be remembered that they are more or less delicate instruments, and must not be subjected to any unnecessary bumps, knocks, or rough usage.

Relays of this line, except type MF, are all built with mounting studs suitable for mounting the relay case on switchboard panels.

In many cases, the relays are mounted on the panels at the factory, thus relieving the customer of this labor. In cases where the relays are shipped already mounted on the panels, they should, however, be thoroughly inspected after the panels have been placed in their permanent position. All dirt and dust should be removed from the relay, both inside and outside, and the connections on the rear of the panel carefully checked out to see that no damage has been done in shipment.

Figures 30 to 38 inclusive, pages 12 and 13, give full information for properly drilling the panel prior to mounting the relays upon it. When the relays are received, they should be carefully inspected for damage done in shipment such as bent or broken terminals, misaligned internal parts due to jars or bumps, etc. If all is found to be satisfactory, the relay may then be mounted on the panel, being placed in a vertical position. As pivotal action is involved in most of the relays, it is important that they should be mounted in the proper vertical position. Otherwise friction may be introduced into the action of the pivot, or unnecessary wear may be caused, thus diminishing the natural sensitivity of the relay. Care should also be taken in mounting relays that the hard composition or fibre terminals extending through the relay case are not cracked or broken, as such conditions may easily lead to a grounding of that terminal. Many troubles in the operation of relays can be traced to such a breaking down of insulation.

Connections—All external connections made to the relays after they have been properly mounted should be made in the most careful manner. Where wires are connected directly to the stud of the relay, the nuts should be firmly tightened. Where other connections are to be made, they should be well soldered.

Location—The placement of relays is usually fixed by the layout of other apparatus, and in such cases it is usually endeavored to have the relays placed in a position as free from vibration as possible. The construction of the type M line of relays is such that they are not directly affected by any reasonable amount of vibration.

Current-Carrying and Rupturing Capacity—The contact fingers which make when the relay is energized are large enough to carry ten or fifteen amperes continuously without overheating. The contact fingers which make when the relay is de-energized are smaller than the others, and will not carry more than

Westinghouse Types MC, M, MF and MS Auxiliary Relays

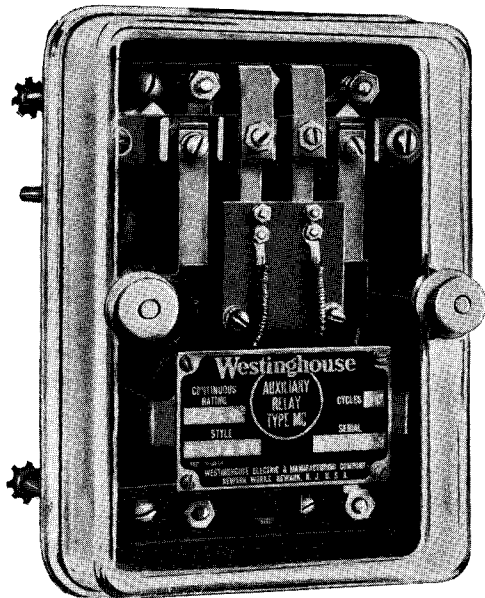


Fig. 1—Westinghouse Type MC Multi-Contact Relay with Glass Cover

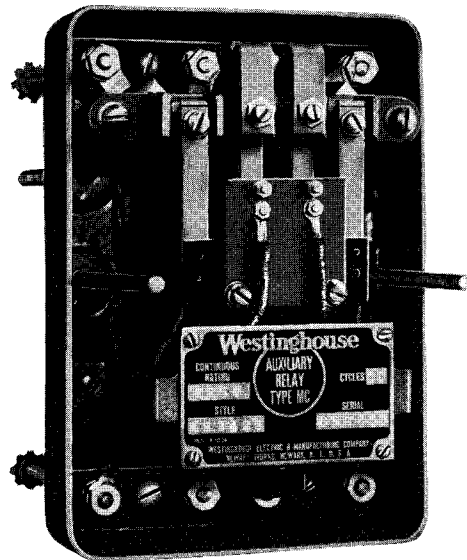


Fig. 2—Westinghouse Type MC Multi-Contact Relay with Cover Removed

five amperes continuously. Due to small contact travel and absence of means for extinguishing arcs, these relays should never be required to break more than five amperes at 125 volts d-c. or ten amperes at 110 volts a-c.

Type MC Multi-Contact Relay

Construction—The mechanical structure of the type MC relay is composed of the following main assemblies of parts:

(a) The magnetic circuit, consisting of punchings and hinged armature.

(b) The contact assembly, consisting of the stationary contact block and the stationary contacts.

(c) The moving contact block, attached directly to the hinged armature.

(d) The contact spring and the front and back moving contacts.

(e) The base and cover assembly, consisting of the cast iron base and glass or iron cover.

(f) The electric circuit terminals.

(g) The mounting studs.

Figures 1 and 2 are views of the relay.

Figure 1 shows relay with glass cover, but all 6 circuit styles given in table 1 have iron covers.

Figure 3 shows a front and side cross-section view of the relay. The main magnetic circuit consists of U shaped punchings riveted together, one end of the U supporting the coil, and the other end being fitted with brackets suitable for mounting the pivoted armature. The iron armature is mounted on the hinge-brackets by means of a small steel pin.

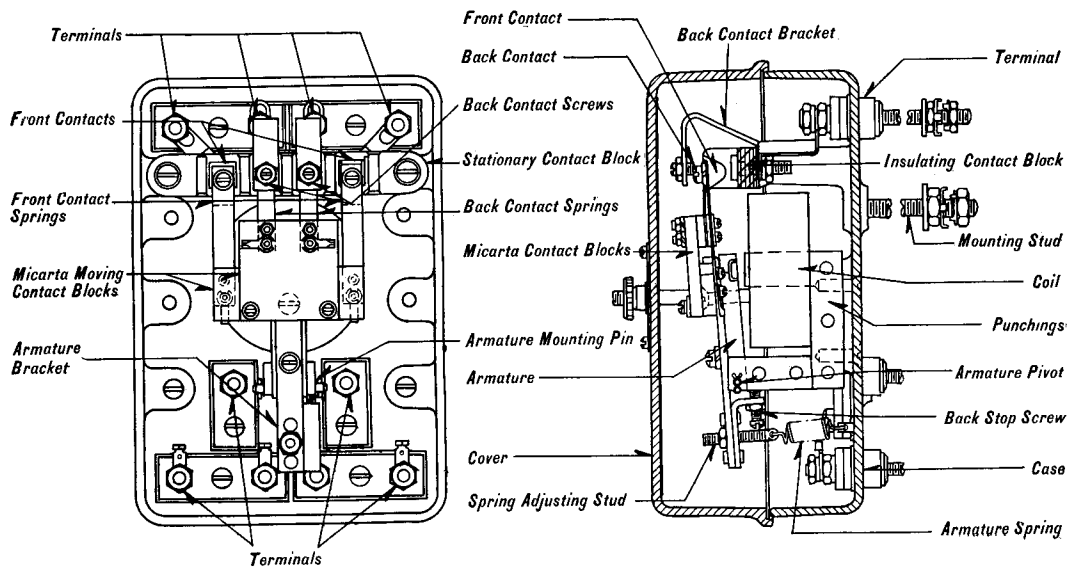


Fig. 3—Front and Side Cross Section View of Type MC Relay (Two Front and Two Back Contacts)

Westinghouse Types MC, M, MF and MS Auxiliary Relays

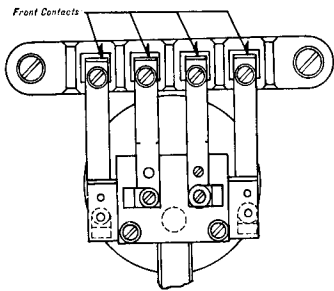


Fig. 4—Four Front Contacts

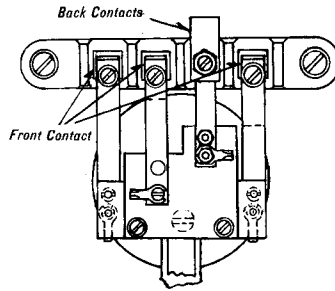


Fig. 5—One Back and Three Front Contacts

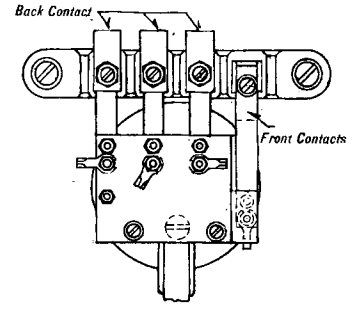


Fig. 6—Three Back and One Front Contacts

A bracket, extending somewhat below the pivoted end of the armature, and containing the screw for adjusting or limiting the travel of the armature, and also the stud for adjusting the tension of the spring which holds the contacts in the open position when coil is de-energized, is fastened to the armature by means of screws. To the upper end of the armature is fastened a micarta block, to which in turn the moving contact springs are attached. This makes an insulated support for the contact springs. The front contacts are mounted directly to these

springs, and serve to make contact with the studs in the stationary contact block. The stationary back contact is supported by a bracket mounted directly on the stationary contact block and lines up with the back moving contact which is mounted in a manner similar to the front moving contacts. The back contacts are made of silver.

As shown in table 1, the type MC relay may be supplied with any one of a number of different contact arrangements. Front contacts are those which are normally open when the relay

is de-energized and closed when the relay is energized. Back contacts are those which are normally closed when the relay is de-energized and open when the relay is energized. The following contact assemblies may be obtained:

- (a) Four front contacts (Figures 4 and 11).
- (b) One back and three front contacts (Figures 5 and 12).
- (c) Two front and two back contacts (Figures 3 and 13).
- (d) Three back and one front contacts (Figures 6 and 14).

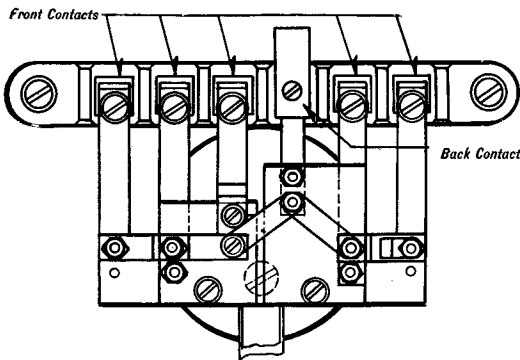


Fig. 7—One Back and Five Front Contacts

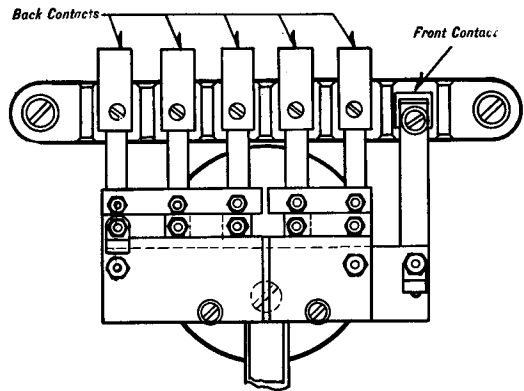


Fig. 8—Five Back and One Front Contacts

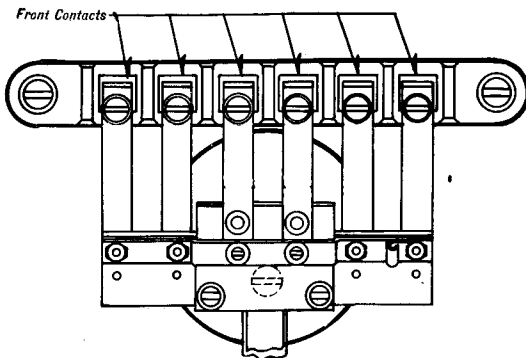


Fig. 9—No Back and Six Front Contacts

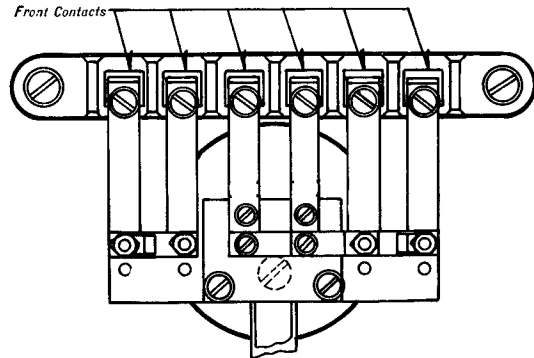


Fig. 10—No Back Contacts, Four Front Contacts in Parallel and Two Front Contacts, Making One Independent Circuit

Westinghouse Types MC, M, MF and MS Auxiliary Relays

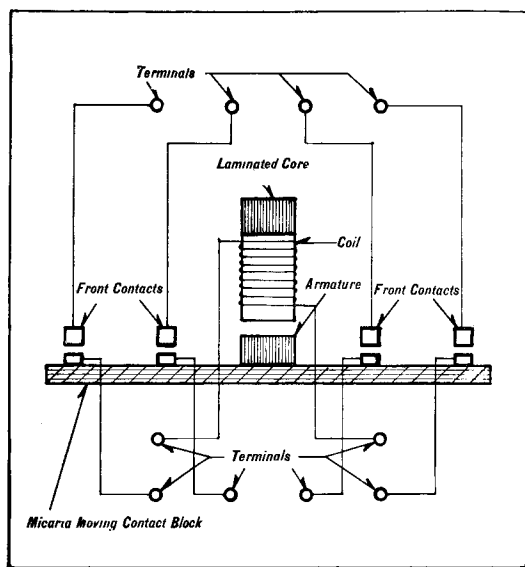


Fig 11—Internal Wiring Diagram of Type MC Relay, Four Independent Circuits are Made When Relay is Energized. (Rear View)

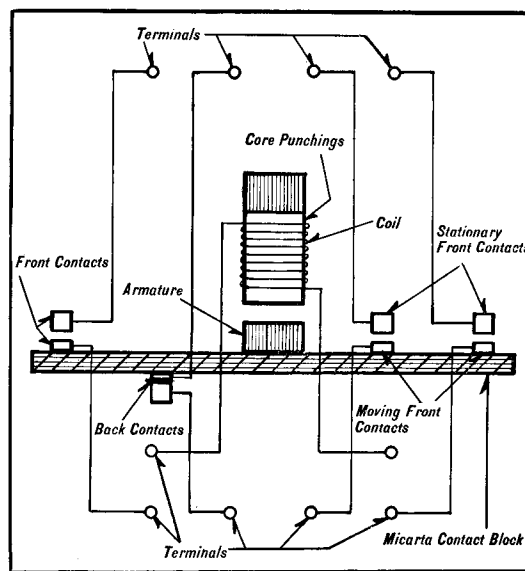


Fig 12—Internal Wiring Diagram of Type MC Relay. Three Independent Circuits Made and One Broken When Relay is Energized. (Rear View)

In the first four combinations the circuits are all independent of each other. The following combinations require six moving contacts all strapped together by a connecting strip, a longer contact block and a slightly larger case than the preceding four combinations.

These combinations are:

- (a) One back and five front contacts (Figures 7 and 15).
- (b) Five back and one front contacts (Figures 8 and 16).
- (c) No back, six front contacts (Figures 9 and 18).
- (d) No back, six front contacts, with connector strip separated to give a group of four fingers tied in parallel and another group of two fingers tied in parallel (Figures 10 and 17).

Coils—The coils are wound self supporting (except in the case of the series coils) and mounted directly on one leg of the punchings. Coils are wound for potentials up to one hundred twenty-five volts d-c. and four hundred forty volts for all standard frequencies. All are used without external resistance. For voltages higher than one hundred twenty-five volts d-c., an external resistance must be used with type MC relays. Table 1 contains the data on the different coils used in this type of relay.

The type MC relay is so constructed that it may be used on either a-c. or d-c. installations. The laminated magnetic circuit makes this possible and thus the

only difference in the relays for a-c. and d-c. service is in the coil. The coils are designed so that they may be left energized continuously at the rated voltage.

Specific Application—The number of different contact arrangements which may be obtained makes the MC relay applicable for a large variety of uses where not only a large capacity contact is desired but where contact arrangement must be such that certain circuits are made and certain circuits broken when the relay is energized. Thus the MC relay is used not only as an auxiliary relay for tripping or closing several circuits upon the action of a primary relay, but is also used largely in control work as a primary relay.

Operation—The operation of the type MC relay is simply that of a contactor in which when the coil is energized, the armature is attracted closing the contacts in one direction and opening the contacts in the other direction.

Adjustment—The armature spring serves two purposes in the type MC relay. It is primarily for the purpose of holding the armature in the open position when the coil is not energized, and in combinations having back contacts it also serves the purpose of introducing enough tension into the back contact spring so that the back contacts will not chatter when they are made.

The following method of adjustment is carried out in the factory tests and should

be used whenever changes are made or any adjustments are found necessary.

Set the armature back-stop screw to give approximately three-eighths of an inch contact separation when armature is resting against stop. Then energize the coil and adjust the armature spring so that the armature will be attracted, or in other words so that the relay will operate at the minimum operating value of excitation as given in table 1. The contact separation may be varied somewhat if necessary but should never be made less than three-sixteenths of an inch.

Back Contact Action—The action of the back contact should then be noted. If the tension of the armature spring is too small the back contacts will chatter for an instant after they are made. If such is found to be the case the tension on the armature spring should be increased until the back contact makes positively and does not tend to chatter. Increasing the tension of this spring will raise the minimum voltage at which the relay will operate, so in order to restore this to the given value the back stop should be so adjusted as to shorten the air gap, thus lowering the minimum operating voltage. The screw mounted back contact can then be adjusted to make good contact with the other existing settings.

The back stop screw should never allow the armature to drop open far enough to cause the contact block to strike the cover.

Westinghouse Types MC, M, MF and MS Auxiliary Relays

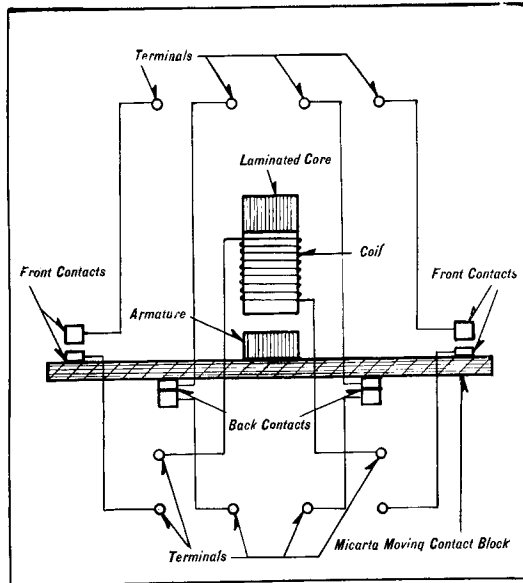


Fig. 13—Internal Wiring Diagram of Type MC Relay. Two Independent Circuits Made and Two Broken When Relay is Energized. (Rear View)

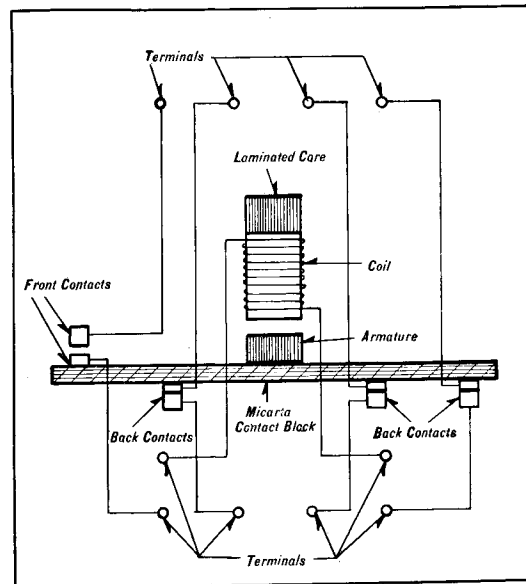


Fig. 14—Internal Wiring Diagram of Type MC Relay. One Independent Circuit Made and Three Independent Circuits Broken When Relay is Energized. (Rear View)

Maintenance—The structure of the type MC relay is so simple and rugged that after it is once properly installed little attention is necessary. As with any apparatus, however, when performing an important function in any scheme of relays, it should be inspected at frequent intervals, special attention being given to the condition of the contacts. These contacts move through a radius sufficient to give them considerable wiping action

when closing. This action tends to keep the contact clean at all times unless they are subject to an excessively heavy duty or very frequent operation. **In case the moving or the stationary contacts become pitted, they should be smoothed up with a fine file so that good contact is assured.**

The back contacts are of silver and have less of the wiping action than the front contacts. They are not intended

to break as heavy a current as the front contacts, which fact should be remembered in making installation. If they become rough or pitted they should be cleaned with a fine file.

The contacts are pure silver and tarnish quickly when in the presence of sulphurous gases. The layer of silver sulphide resulting is a non-conductor and this injures the action of the contact greatly. This fact should be remembered ;

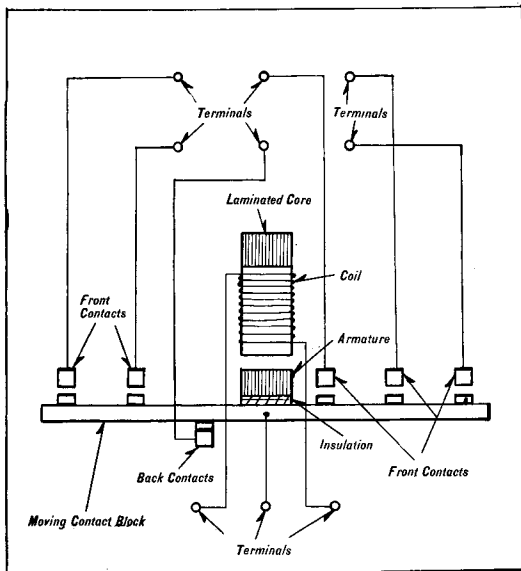


Fig. 15—Internal Wiring Diagram of Type MC Relay. Five Parallel Circuits Made and One Broken When Relay is Energized. (Rear View)

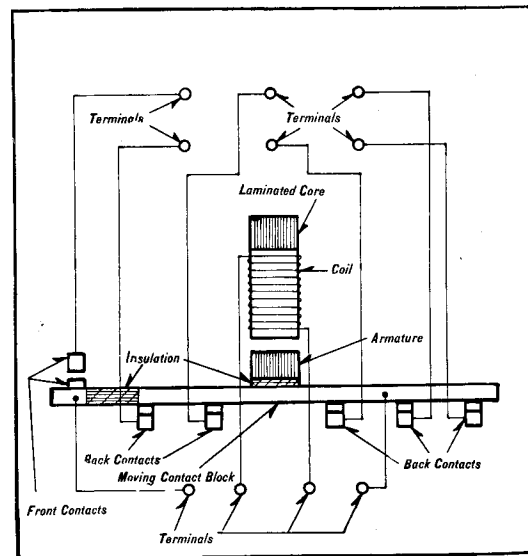


Fig. 16—Internal Wiring Diagram of Type MC Relay. One Circuit Made and Five Parallel Circuits Broken When Relay is Energized. (Rear View)

Westinghouse Types MC, M, MF and MS Auxiliary Relays

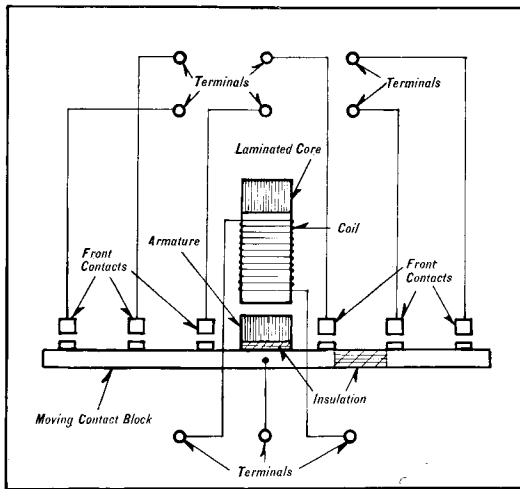


Fig. 17—Internal Wiring Diagram of Type MC Relay. Four Parallel Circuits and One Independent Circuit Made When Relay is Energized. (Rear View)

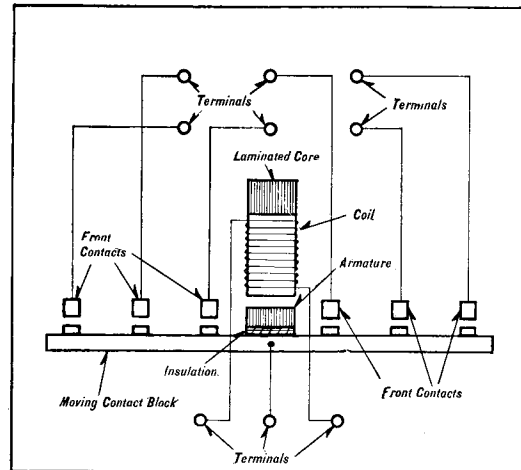


Fig. 18—Internal Wiring Diagram of Type MC Relay or M Relay. Six Parallel Circuits Made When Relay is Energized. (Rear View)

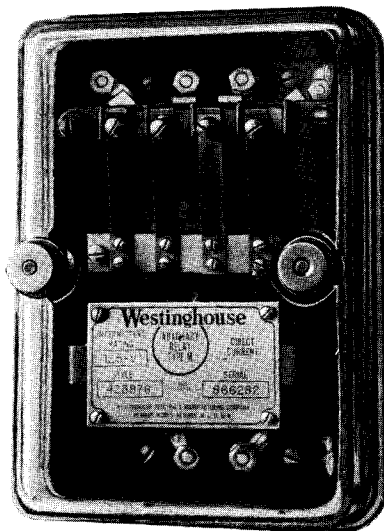


Fig. 19—Westinghouse Type M Multi-Contact Relay with Glass Cover

if relays are located in places where they are subject to exposure to sulphurous gases such as soft coal smoke, the cover should be kept on at all times. Frequent cleaning of the contact may also be necessary in such cases.

The relays are given an insulation test of 1500 volts between all terminals and the case, and between all circuits. Periodic inspection should include the removal of all accumulated dust or dirt, as this accumulation sometimes may be great enough to cause a circuit to be grounded to the case.

Type M Multi-Contact Relay

Construction—The structure of the type M multiple-contact relay is similar to the type MC but simpler. The main parts of the type M relay are the coils, the armature with mounting bracket, the

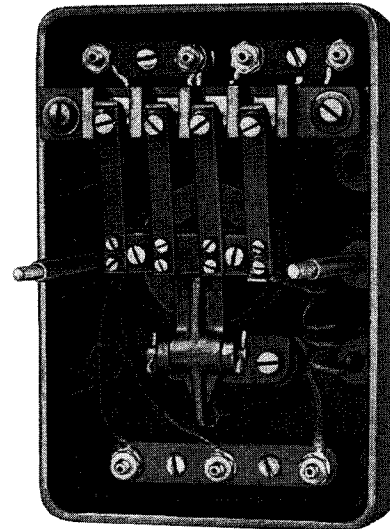


Fig. 20—Westinghouse Type M Multi-Contact Relay with Cover Removed

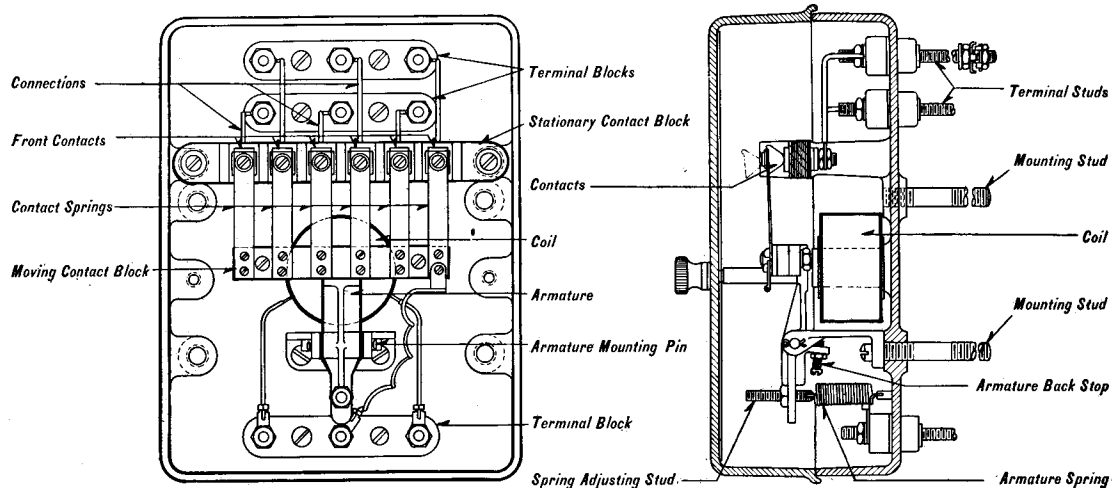


Fig. 21—Front and Side Cross Section View of Type M, Multi-Contact Relay (Six Front Contacts)

Westinghouse Types MC, M, MF and MS Auxiliary Relays

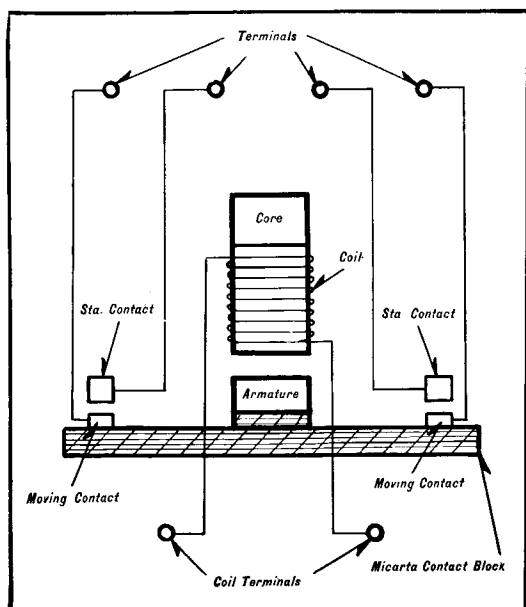


Fig. 22—Internal Wiring Diagram of Type M-2 Relay. Two Independent Circuits Made When Relay Operates

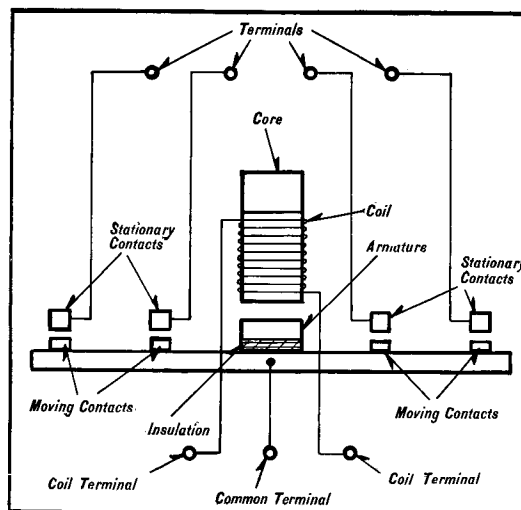


Fig. 23—Internal Wiring Diagram of Type M-4 Relay. Four Parallel Circuits Made When Relay Operates

contact assembly, the terminals, the case and the cover.

The coil is mounted on a solid core which is a screw threaded into the cast iron base. The armature is mounted below and in front of the coil by means of a pivot rod supported by a suitable bracket mounted on the base. At the end of the armature just below the mounting bracket the spring adjusting stud and the back stop screw are located. On the upper end of the armature the contact assembly is mounted on a bar extending horizontally. As shown in Figures 20 and 21 the contacts are mounted on a common bar for the four and six contact relays. This bar is insulated from the armature by a micarta strip. The moving contacts are mounted on the upper end of the contact springs and correspond with the stationary contacts mounted in the stationary contact block. This type of relay is not made with back contacts.

Three contact arrangements are used, namely:

- M-2—Two independent make contacts (Figure 22)
- M-4—Four parallel make contacts (Figures 20 and 23)
- M-6—Six parallel make contacts (Figures 18 and 21)

The contacts are made of copper and will handle the same amount of current given for MC relays, on page 3.

The type M relay is suitable only for

d-c. service. The coils are wound self supporting and may be supplied for various voltages. They are so designed that they are only suitable for intermittent service and will not stand being energized longer than a few minutes at a time.

Application—The type M relay is, due to its simple construction, less expensive than the type MC. It is suitable for any application where a multi-contact relay is desired for intermittent service with a direct-current source of energy. Thus three factors enter into the choice between the type MC and type M relay for auxiliary service, namely:

- (a) The difference in the price.
- (b) The contact arrangement.
- (c) The character of service.

Operation and Adjustment—The operation and adjustment of the type M relay is the same as that already described for the type MC relay except that there are no back contacts. Table 2 gives the values for which the coils are designed to operate positively. The spring adjusting stud should be set so as to have the spring exert sufficient pull on the armature that it will never be closed due to a jar or excess vibration. The back stop is adjusted so that the movement of the armature gives a definite value of minimum pick up voltage. Increasing or decreasing the air gap respectively raises or lowers the minimum pick up voltage.

The setting of the armature spring also affects the pick up voltage.

Maintenance—The type M relay should be inspected at regular intervals to see that the contacts are in good condition and that all nuts and screws are tight and that no adjustment has been changed. Care should be taken in adjusting the relays both upon initial installation and upon routine inspection, that the contacts are in proper alignment. All contacts should make at the same time, thus placing practically the same pressure on all contacts when the armature is drawn in to the core. This adjustment may be made by bending the contact springs slightly to bring them into the proper alignment. Contacts which are burnt or pitted may be dressed up with a fine file unless they are in very poor condition, in which case they should be replaced.

Type MF Flash Relay

The construction of the MF relay is similar to the standard MC relay. It has one back and two front contacts. Due to lack of space, terminals are provided for only one front and one back contact. A special high-current coil with special terminal is used and operation indicator is added in the front contact circuit. In addition to this a different cover is used having a glass window in its lower part so located that the operation indicator may be plainly seen. Figures 24 and 25

Westinghouse Types MC, M, MF and MS Auxiliary Relays

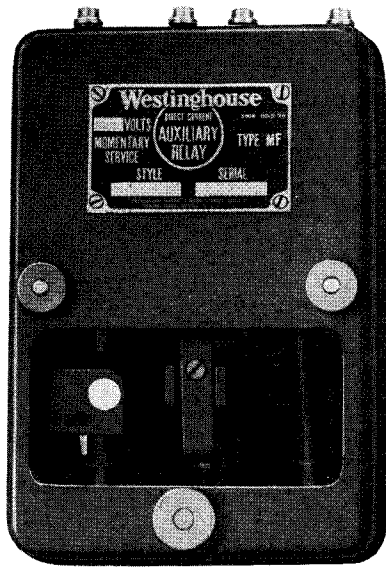


Fig. 24—Westinghouse Type MF Flash Relay

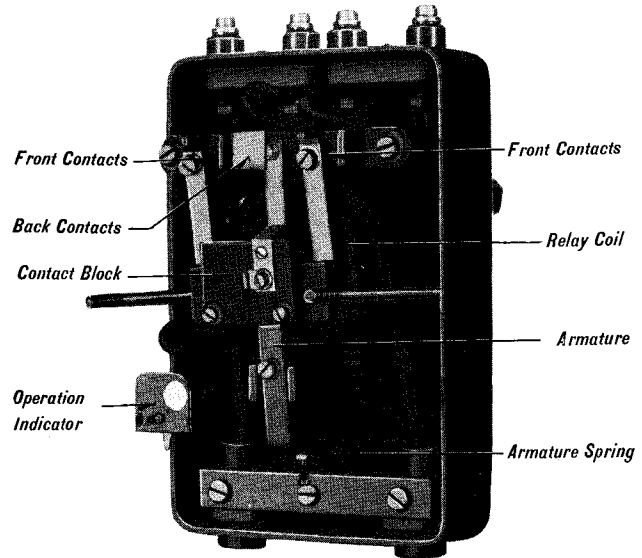


Fig. 25—Westinghouse Type MF Flash Relay with Cover Removed

show the flash relay with and without cover.

Application—The type MF flash relay is used for the protection of rotary converters after the occurrence of grounded flashovers. It is connected between the frame of the converter and ground, the frame being left ungrounded except for the connection through the relay winding. Upon the occurrence of flashover on the d-c. end of the converter a large current will tend to flow to ground. As the relay winding is the only connection to ground, this current will flow through the relay causing it to operate and trip the machine off the line. The relay is designed to operate on 100 amperes flowing

in the coil but the construction is such that 1000 amperes or more may flow momentarily without injuring the winding or the relay mechanism. Figure 26 shows a schematic diagram of connections for the MF relay.

The operation and adjustment of the MF relay is the same as those described under the type MC. The same rules for testing and maintenance should be applied.

Type MS Relay

Construction—The type MS supervisory control relay is a group of MC contact assemblies mounted in a suitable case. The coils and magnetic circuits are

the same as those used in the MC relay. The armature assembly is similar except that it is much more simple. The coil and magnetic circuit are so mounted that the contacts are held open by gravity and thus the spring at the end of the armature as used in the type MC relay is unnecessary. The back stop screw is used, however. The contact assembly consists of two spring-mounted contacts with the springs mounted on a micarta block which is in turn mounted on the armature. These moving contacts engage with two stationary contacts mounted on a micarta contact block which is in turn mounted on the main bracket serving as a support for the entire contactor assembly. A small terminal board is placed in front of the coil containing four terminals. Two of these terminals, marked A and B, are connected to one pair of contacts while the other two are connected to the coil leads. The leads to the other set of contacts are connected to terminals at the rear of the coil on the base. Figure 29 shows the internal wiring diagram.

The type MS relay assembly contains ten separate contact assemblies mounted in two rows as shown in Figures 27 and 28. Coils may be supplied for the different voltages as shown in table 1, since the same coils are used as for the type MC relay.

Application—The type MS multi-contact relay is used in supervisory control equipment and in other applications

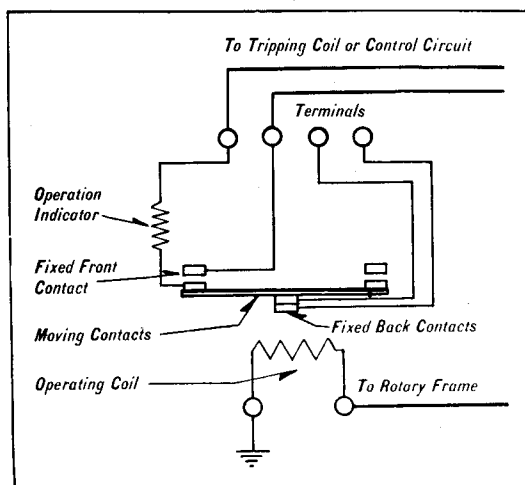


Fig. 26—Internal Wiring Diagram of Type MF Flash Relay. (Rear View)

Westinghouse Types MC, M, MF and MS Auxiliary Relays

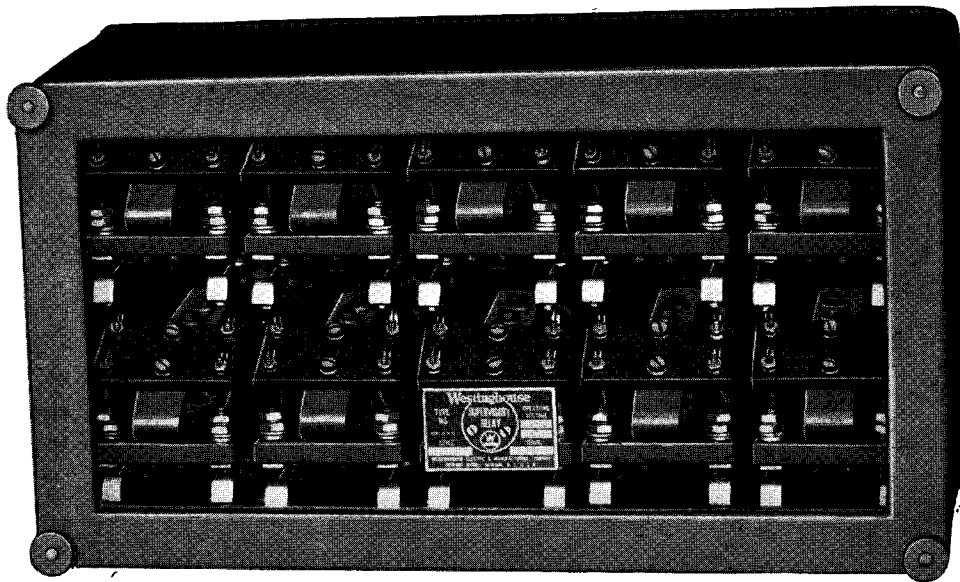


Fig. 27—Westinghouse Type MS Multi-Contact Relay

where a great number of contactors are necessary and it is desirable to have them in as compact arrangement as possible. The specific use of the type MS relay is for supervisory control where it is necessary to insulate the low voltage telephone equipment from the higher voltage control circuit. The electrical impulses sent in over the supervisory circuit are thus relayed to the circuits which control the power apparatus. The arrangement of the ten contactor assemblies into two rows is such that the standard telephone cable can be brought in through an open-

ing at each end of the case and connections made to the terminal boards.

Operation and Adjustment—As shown in the figure, the contacts are held open by gravity as long as the relay coil remains de-energized. The movement of the armature, or in other words, the width of the air gap when the contacts are open may be adjusted by means of the small back stop screw located in the end of the armature opposite to that on which the contacts are mounted. By the proper adjustment of this screw the minimum voltage at which the relay will

pick up and attract the armature may be varied somewhat. Generally speaking, however, these values of minimum pick up voltage and continuous values are the same as given on table 1 for the type MC relay coils.

This entire assembly of contactors is mounted on a suitable cast iron base and enclosed in a cover with a glass front so that the action of all of the contacts may be observed at all times. This makes inspection easy and in case any of the contacts require attention they are readily accessible by removing the cover.

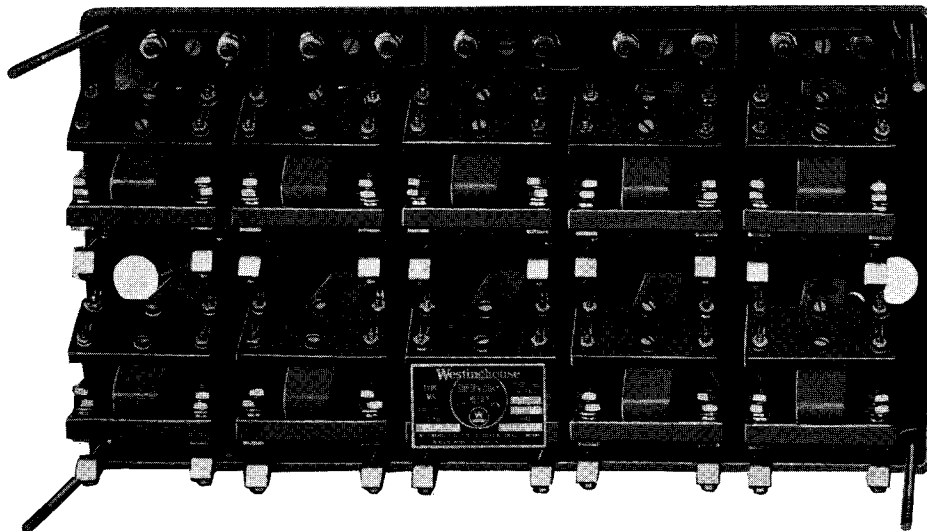


Fig. 28—Westinghouse Type MS Multi-Contact Relay with Cover Removed

Westinghouse Types MC, M, MF and MS Auxiliary Relays

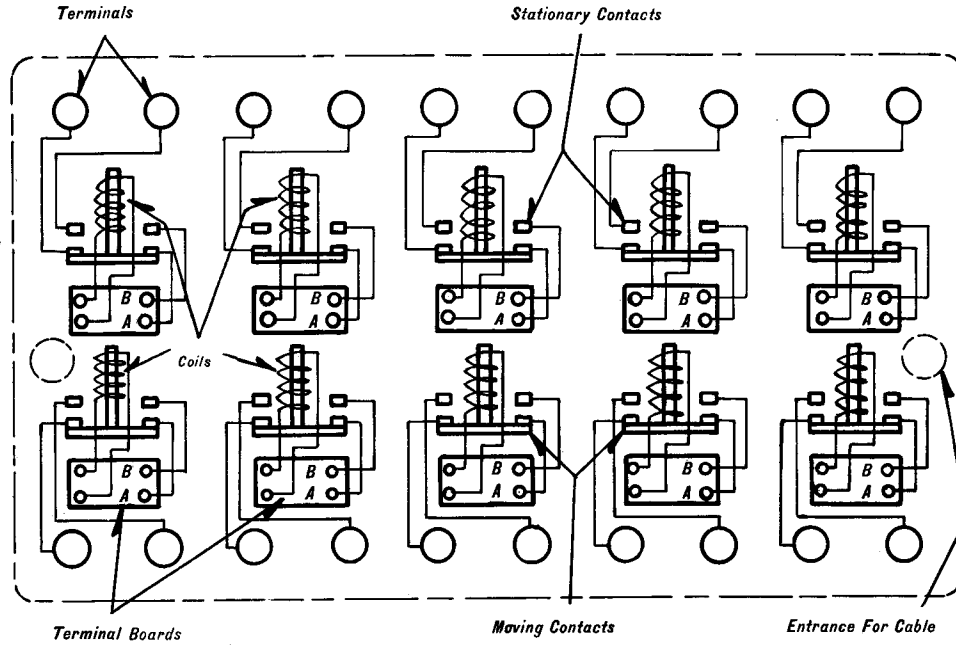


Fig. 129—Internal Wiring Diagram of Type MS Multi-Contact Relay. (Rear View)

Outline and Drilling Plans

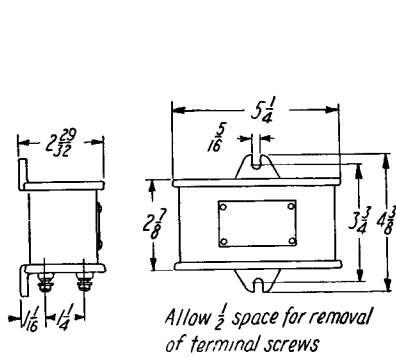


Fig. 30—External Series Resistor—2-Spool Size

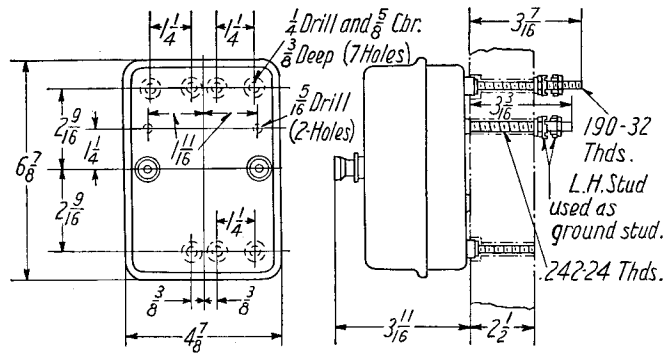


Fig. 31—Type M—Multi-Contact—7 Terminals

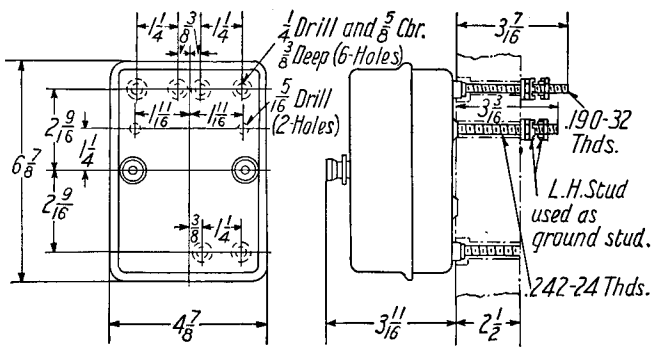


Fig. 32—Type M—Multi-Contact—6 Terminals

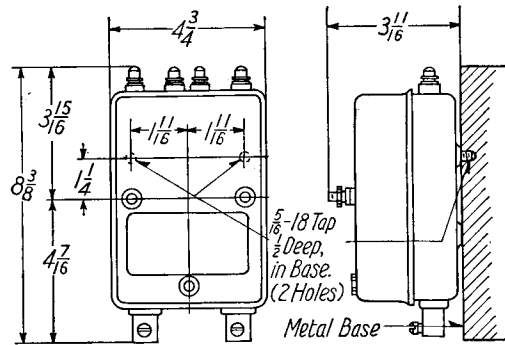


Fig. 33—Type MF Flash Relay

Westinghouse Types MC, M, MF and MS Auxiliary Relays

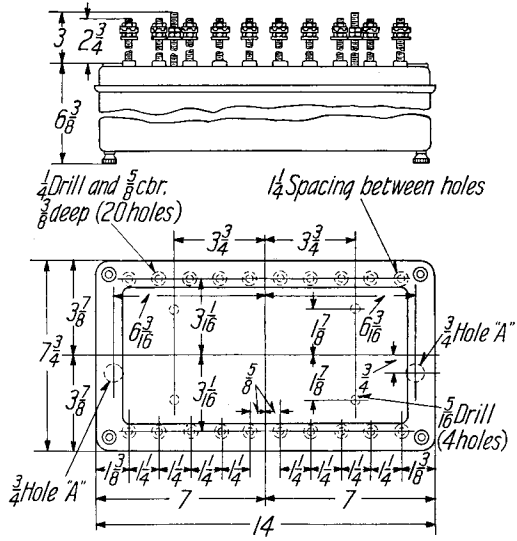
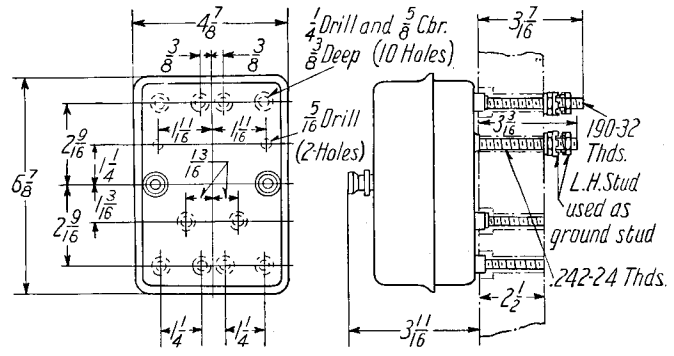
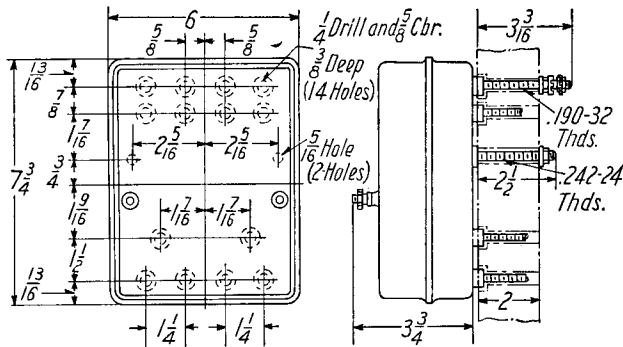


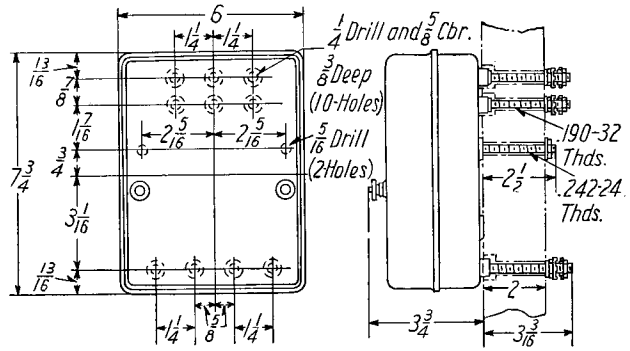
Fig. 34—Type MS Banked Multi-Contact



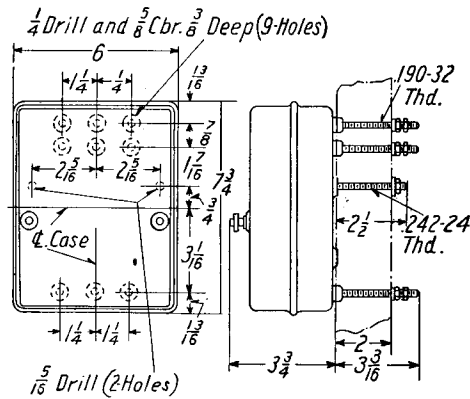
Type MC Relay
Fig. 35—Four Independent Contact Circuits—Various Combinations of Make and Break



Type MC Relay
Fig. 36—Six Independent Contact Circuits—Various Combinations of Make and Break



Type MC Relay
Fig. 37—Five-Circuit Opening, One-Circuit Closing, All in Parallel



Type MC Relay
Fig. 38—Five-Circuit Closing, One-Circuit Opening, Also with Six "Make" Contacts, all in Parallel

Westinghouse Types MC, M, MF and MS Auxiliary Relays

Renewal Parts

Repairing

Repair work can be most satisfactorily accomplished at our nearest Service Shop. However, interchangeable renewal parts can be furnished, as listed below, to customers, who are equipped for doing repair work.

**Recommended Stock of
Renewal Parts**

Below is a list of the renewal parts and the minimum quantities of each that should be carried in stock. These are the parts most subject to wear in ordinary operation and damage or breaking due to possible abnormal conditions. The maintenance of such stock will minimize service interruptions due to breakdowns.

Ordering Instructions

When ordering renewal parts, give the name plate reading. Always give the name of the part wanted, also the stock order number of the apparatus on which the part is to be used. Refer to the back of this book for the nearest District Office from which to order parts.

Recommended Stock of Renewal Parts

These lists cover the minimum quantity of renewal parts that should be carried in stock.

TYPE M AUXILIARY RELAY

(See Fig. 21)

Total number of relays up to and including		2 CONTACTS				4 CONTACTS				6 CONTACTS			
		2		5		2		5		2		5	
NAME OF PART	STYLE No.	No. PER RELAY	RECOMMENDED FOR STOCK			No. PER RELAY	RECOMMENDED FOR STOCK			No. PER RELAY	RECOMMENDED FOR STOCK		
Relay complete		1	0	0	1	1	0	0	1	1	0	0	1
Armature	311826	1	0	0	1	1	0	0	1	1	0	0	1
Contact spring	311836	2	1	2	4	4	2	4	8	6	3	6	12
Contact—moving	311835	2	2	4	8	4	4	8	16	6	6	12	24
Armature mounting pin	63589	1	0	1	1	1	0	1	1	1	0	1	1
Armature spring	408225	1	1	1	2	1	1	1	2	1	1	1	2
*Stationary contact	311831	2	2	4	8	4	4	8	16	6	6	12	24
Coil—12 Volts	315938	1	1	1	2	1	1	1	2	1	1	1	2
Coil—24 Volts	438148	1	1	1	2	1	1	1	2	1	1	1	2
Coil—50 Volts	315941	1	1	1	2	1	1	1	2	1	1	1	2
Coil—125 Volts	315939	1	1	1	2	1	1	1	2	1	1	1	2
Coil—250 Volts	315940	1	1	1	2	1	1	1	2	1	1	1	2
*Glass cover	423831	1	0	0	1	1	0	0	1	1	0	0	1
*Thumb nut for glass cover	289840	2	1	2	4	2	1	2	4	2	1	2	4
*Thumb nut for metal cover	242574	2	1	2	4	2	1	2	4	2	1	2	4

TYPE MC AUXILIARY RELAY

(See Fig. 3)

Total number of relays up to and including		4 CONTACTS																	
		4 MAKE			1 MAKE 3 BREAK			3 MAKE 1 BREAK			2 MAKE 2 BREAK								
NAME OF PART	STYLE No.	2			5			2			5			2			5		
		No. PER RELAY	RECOMMENDED FOR STOCK		No. PER RELAY	RECOMMENDED FOR STOCK		No. PER RELAY	RECOMMENDED FOR STOCK		No. PER RELAY	RECOMMENDED FOR STOCK		No. PER RELAY	RECOMMENDED FOR STOCK				
Relay complete		1	0	0	1	1	0	0	1	1	0	0	1	1	0	0	1		
Armature	375114	1	0	0	1	1	0	0	1	1	0	0	1	1	0	0	1		
Front contact and spring—short	476937	2	2	4	8	3	3	6	12	1	1	2	4	2	2	4	8		
Front contact and spring—long	476939	2	2	4	8	1	1	2	4	2	2	4	8	2	2	4	8		
Back contact and spring—moving	464004	2	2	4	8	3	3	6	12	1	1	2	4	2	2	4	8		
*Spring support for front contact—curved	446719	2	1	2	4	3	3	6	12	1	1	2	4	2	2	4	8		
*Spring support for front contact—straight	464001	2	1	2	4	1	0	1	2	2	1	2	4	2	1	2	4		
*Spring support for back moving contact	446720	2	1	2	4	3	3	6	12	1	1	2	4	2	2	4	8		
Armature mounting pin	438105	1	0	1	1	1	0	1	1	1	0	1	1	1	0	1	1		
Armature spring	477948	1	1	1	2	1	1	1	2	1	1	1	2	1	1	1	2		
*Stationary contact and screw	476935	4	4	8	16	1	1	2	4	3	3	6	12	2	2	4	8		
Back stationary contact and screw	420430	1	1	1	2	3	3	6	12	1	1	2	4	2	2	4	8		
*Glass cover	423831	1	0	0	1	1	0	0	1	1	0	0	1	1	0	0	1		
*Thumb nut for cover	289840	2	1	2	4	2	1	2	4	2	1	2	4	2	1	2	4		

*Not listed on illustration.

Westinghouse Types MC, M, MF and MS Auxiliary Relays

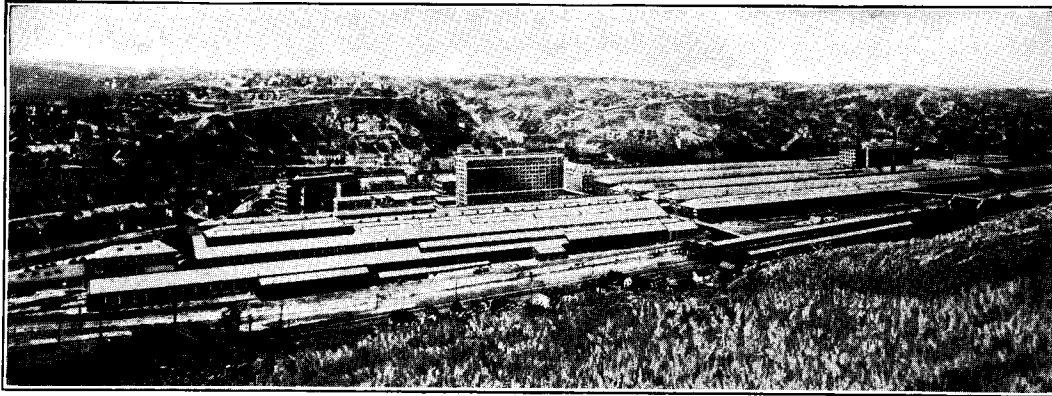
RECOMMENDED STOCK OF RENEWAL PARTS—Continued

TYPE MC AUXILIARY RELAY

Total number of relays up to and including		6 CONTACTS															
		6 MAKE			1 MAKE 5 BREAK			5 MAKE 1 BREAK			4 MAKE 2 BREAK						
		2	5	15	2	5	15	2	5	15	2	5	15				
NAME OF PART	STYLE No.	No. PER RELAY	RECOMMENDED FOR STOCK	No. PER RELAY	RECOMMENDED FOR STOCK	No. PER RELAY	RECOMMENDED FOR STOCK	No. PER RELAY	RECOMMENDED FOR STOCK	No. PER RELAY	RECOMMENDED FOR STOCK	No. PER RELAY	RECOMMENDED FOR STOCK				
Relay complete		1	0	0	1	1	0	0	1	1	0	0	1	1	0	0	1
Armature	375114	1	0	0	1	1	0	0	1	1	0	0	1	1	0	0	1
Front contact and spring—short	476936	2	2	4	8	1	1	2	4	2	2	4	8
Front contact and spring—long	476938	4	4	8	16	4	4	8	16
Front contact and spring—moving	476939	1	1	2	4	4	4	8	16
Back contact and spring—moving	464004	5	5	10	20	1	1	2	4
Back contact and spring—curved	446719	2	1	2	4	1	0	1	2	2	1	2	4
*Spring support for front contact—curved	464001	4	2	4	8	1	0	1	2	4	2	4	8	4	2	4	8
*Spring support for front contact—straight	446720	5	2	4	8	1	0	1	2
*Spring support for back moving contact	438105	1	0	1	2	1	0	1	1	1	0	1	1	1	0	1	1
Armature mounting pin	408225	1	1	1	2	1	1	1	2	1	1	1	2	1	1	1	2
Armature spring	476935	6	6	12	24	1	1	2	4	5	5	10	20	6	6	12	24
*Stationary contact and screw	420430	5	5	10	20	1	1	2	4
Back stationary contact and screw	420430	5	5	10	20	1	1	2	4
*Thumb nut for cover	242574	2	1	2	4	2	1	2	4	2	1	2	4	2	1	2	4

NAME OF PART	Total number of relays up to and including			STYLE No.
	2	5	15	
	No. PER RELAY	RECOMMENDED FOR STOCK		
Coil— 5 Amperes D-C.	1	1	1	2
Coil— 8 Volts D-C.	1	1	1	2
Coil— 12 Volts D-C.	1	1	1	2
Coil— 16 Volts D-C.	1	1	1	2
Coil— 25 Volts D-C.	1	1	1	2
Coil— 32 Volts D-C.	1	1	1	2
Coil— 50 Volts D-C.	1	1	1	2
Coil— 62 Volts D-C.	1	1	1	2
Coil—110 Volts D-C.	1	1	1	2
Coil—130 Volts D-C. or 250 Volts D-C.	1	1	1	2
Coil— 62 Volts, 25 Cycle; 110 Volts, 50 Cycle; 130 Volts, 60 Cycle	1	1	1	2
Coil— 62 Volts, 50 Cycle	1	1	1	2
Coil— 62 Volts, 60 Cycle	1	1	1	2
Coil—110 Volts, 25 Cycle or 220 Volts, 60 Cycle	1	1	1	2
Coil—110 Volts, 60 Cycle	1	1	1	2
Coil—130 Volts, 25 Cycle or 220 Volts, 50 Cycle	1	1	1	2
Coil—130 Volts, 50 Cycle	1	1	1	2
Coil—220 Volts, 25 Cycle or 440 Volts, 50 Cycle	1	1	1	2
Coil—440 Volts, 25 Cycle	1	1	1	2
Coil—440 Volts, 60 Cycle	1	1	1	2
*Resistance box for 250 Volt, D-C. Relay	1	0	0	1
*Resistor tube, 1200 Ohms	2	1	1	2
*Resistance box for 440 Volt, 25 Cycle Relay	1	0	0	1
*Resistor tube, 2000 Ohms	2	1	1	2

*Not listed on illustration.
 †This list applies to both 4 and 6 contact relays.
 Parts indented are included in the part under which they are indented.



The Company's Works at East Pittsburgh, Pa.

Westinghouse Products

A few of the Westinghouse Products are listed below and will furnish some idea of the great variety of electrical apparatus manufactured by the Company and the many extensive fields for their use.

For Industrial Use

Instruments
Motors and controllers for every application, the more important of which are: Machine shops, wood-working plants, textile mills, steel mills, flour mills, cement mills, brick and clay plants, printing plants, bakeries, laundries, irrigation, elevators and pumps.

Welding outfits

Gears

Industrial heating devices, such as: Glue pots, immersion heaters, solder pots, hat-making machinery and electric ovens.

Lighting systems

Safety switches

For Power Plants and Transmission Lines

Carrier current equipment

Circuit-breakers and switches

Condensers

Controllers

Control switches

Frequency changers

Fuses and fuse blocks

Generators

Insulating material

Instruments

Lamps, incandescent and arc

Lightning arresters

Line material

Locomotives

Meters

Motors

Motor-generators

Portable Power Stands, 110 volts

Rectifiers

Regulators

Relays

Solder and soldering fluids

Stokers

Substations, portable and auto-

matic

Switchboards

Synchronous converters

Transformers

Turbine-generators

For Transportation

Locomotives

Railway equipment

Marine equipment

For Mines

Automatic substations

Lamps

Locomotives

Motors for hoists and pumps

Motor-generators

Portable substations

Switchboards

Line material

Ventilating outfits

For Farms

Fans

Household appliances

Motors for driving churns, cream separators, corn shellers, feed grinders, pumps, air compressors, grinders, fruit cleaning machines and sorting machines.

Generators for light, power and heating apparatus.

Portable Power Stands, 32 Volts

Radio Apparatus

Transformers

For Office and Store

Electric radiators

Fans

Arc lamps

Incandescent lamps

Sol-Lux lighting fixtures

Small motors for driving addressing machines, dictaphones, adding machines, cash carriers, moving window displays, signs, flashers, envelope sealers, duplicators, etc.

Ventilating outfits

For Electric and Gasoline Automobiles and the Garage

Battery charging outfits

Charging plugs and receptacles

Lamps

Instruments

Motors and controllers

Small motors for driving lathes, tire pumps, machine tools, polishing and grinding lathes.

Solder and soldering fluids

Tire vulcanizers

For the Home

Electric ware, including: Table stoves, toasters, irons, warming pads, curling irons, coffee percolators, chafing dishes, disc stoves, radiators and sterilizers.

Automatic electric ranges

Fans

Incandescent lamps

Radio apparatus

Sol-Lux lighting fixtures

Small motors for driving coffee grinders, ice cream freezers, ironing machines, washing machines, vacuum cleaners, sewing machines, small lathes, polishing and grinding wheels, pumps and piano players.

Sew-motors.