

September, 1990  
Supersedes DB 41-220, pages 1-4,  
dated July, 1989  
Mailed to: E, D, C/41-200A

Device Number: 47

## Type CP Reverse Phase Voltage Relay

For Protection of Motors,  
Generators, Transformers,  
and Station Bus



### Application

The CP relay is a three-phase contact-making voltmeter which is used to detect reverse phase connections of lines, transformers, motors, generators, or synchronous condensers. It is commonly used in automatic transfer schemes to assure connection of proper phase rotation. For example, one CP relay is used to initiate trip of a source breaker, while another is used to supervise closing of the alternate source breaker.

One set of relay contacts close on three-phase overvoltage conditions, whereas the other set of contacts close on three-phase undervoltage, loss of voltage, reverse phase connection, or serious phase unbalance.

The CP relay is widely used for motor protection. It is applied principally to busses that supply one or more motors, to sense the quality of the supply voltage. The relay will respond to undervoltage, reverse phase sequence, and single phasing of the supply. For protection of lightly loaded single motors, the negative sequence voltage should be checked to assure that the relay will respond to an open supply phase.

The CP relay is also used to block generator voltage regulator "raise" circuits during malfunction of the regulator, thereby avoiding system overvoltage.

The relay has high torque (assuring positive contact action), low burden, and is easily adjustable. Being self-contained, it does not require external resistors.

### Construction

#### (1) Calibrated Scale

Has indexed marking of 70-120 volts, 140-240 volts, or 240-480 volts. Range of contact adjustment is as follows:

120 volt relay	70-120 volts
208 volt relay	120-220 volts
240 volt relay	140-240 volts
480 volt relay	240-480 volts

#### (2) Adjustable Low Voltage Contact

#### (3) Adjustable High Voltage Contact

Both adjustable contacts are made of silver, and both have a vernier screw to provide adjustable contact wipe and assure positive contact.

#### (4) Die Cast Aluminum Frame

Assures correct alignment of disc, bearings, and electromagnet assembly.

#### (5) Moving Contact

The moving contact is also made of silver. It provides common connection between the high and low voltage contacts. CP relay designs which provide independent contact circuits are available. See figure 6. It floats between the stationary contacts for intermediate values of relay voltage between overvoltage and undervoltage stationary contact settings.

#### (6) Spiral Spring

A strong spiral spring assures good contact action when the relay is de-energized. Adjustment of the spring tension determines the minimum pickup of the relay.

#### (7) Damping Magnet

High strength Alnico, with adjustable keeper to damp the induction disc, and thus control operating time of the relay according to published time curves.

#### Indicating Contractor Switch (ICS)

The CP relay can be supplied with an additional seal-in type ICS auxiliary unit rated 0.2/2.0 amps dc. This unit (mounted on the terminal jaw block) is a small clapper type device having a magnetic armature to which

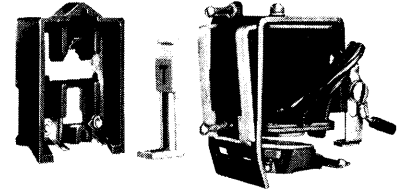


Fig. 1

leaf-spring mounted contacts are attached. The armature is attached to the core when the coil is energized at or above pickup value, causing the moving contacts to bridge two stationary contacts, and complete the trip circuit.

The ICS contacts are connected in parallel with the main relay contacts, and relieve them of carrying heavy trip currents.

The main relay contacts will close 30 amperes at 250 volts dc, and the ICS contacts will safely carry this current long enough to trip a circuit breaker.

When the ICS is energized, two fingers on the armature yoke deflect a leaf-spring located on the front of the switch, allowing the operation indicator target to drop. The target is reset external to the case by a pushrod located at the bottom of the relay case cover.

Taps on the front of the relay provide connection for either 0.2 (left) or 2.0 (right) ampere dc minimum pickup setting. When the CP relay energizes a WL relay rated 125 or 250 volts dc, the 0.2 tap is recommended. The 2.0 ampere tap is used on 24 or 48 volt dc circuits.

#### Indicating Voltage Switch (IVS)

CP relays can also be supplied with an Indicating Voltage Switch which is similar in construction to the ICS unit, except that it has a series connected resistor.

The IVS unit will operate when 80% of dc rated voltage is applied.

#### Voltage Operating Electromagnet

Located at the rear of the relay, the type "E" electromagnet is a laminated structure with a coil winding on each of the three legs. When the wye-connected coils are energized by three-phase voltage, a flux is induced in each leg of the electromagnet.

These out-of-phase fluxes create torque on the induction disc so that positive sequence voltage tends to close the high voltage contact, and negative sequence voltage tends to close the low voltage contact. Design of the electromagnet creates high operating torque to provide positive contact action.

**Burden Data**

**120, 240, and 480 Volt Relays**

When energized at nominal rated line-to-line balanced three-phase voltage, CP relay burden is as follows:

Phase	Watts	Vars	Volt Amperes	Power Factor Angle
A	.25	2.82	2.83	85° lag
B	.37	1.92	1.96	79° lag
C	1.11	2.50	2.73	66° lag

**Ratings**

**Relay Voltage Unit**

The CP relay will withstand 110% of rated voltage, continuously.

**Relay Contacts**

The main contacts of the relay will close 30 amperes at 250 volts dc, and will carry this current for sufficient time to trip a circuit breaker.

**Trip Circuit Data**

ICS Tap, Amps Dc	Coil Rating In Amps Dc		Resistance In Ohms
	Continuous	1-Second	
0.2	0.4	11.5	6.5
2.0	3.2	88.0	0.15

**Operation**

When energized with three-phase positive sequence voltage, the high voltage contacts tend to close.

A reversed phase (negative sequence phase rotation) will close the low voltage contact. The low voltage contact will also close on unbalanced voltages which contain a sufficient negative sequence component to reduce the net relay torque to its low voltage trip point.

The voltage values indicated on the calibrated scale of the relay are the balanced, three-phase, line-to-line voltages required to close the relay contact when the adjustable stationary contact is set at that point on the scale. The CP relay has inverse timing, i.e., the greater the change in voltage, the faster it will operate.

The only setting required is the selection of the adjustable low and high voltage stationary contact positions. These positions are the desired voltage values at which contact closing operation is desired.

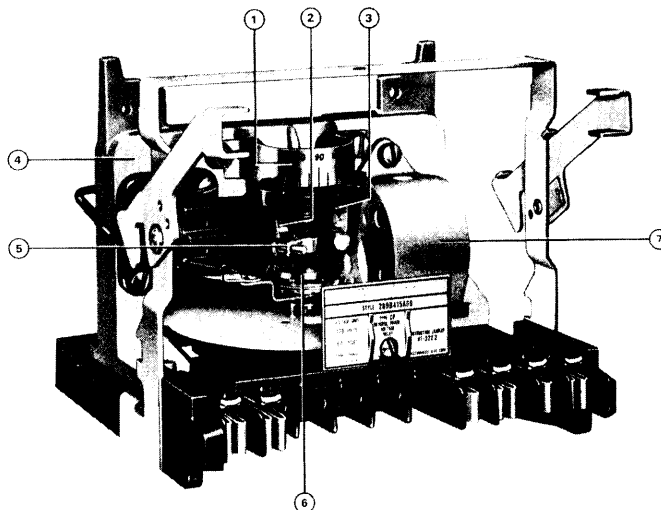


Fig. 2

**Relay Operating Time**

**Simultaneous Change in Three-Phase Voltage**

Timing of the relay is not adjustable, since it is dependent upon the position of the stationary contacts.

The curves shown in figures 4 and 5 indicate relay operating time for a simultaneous change in three-phase voltage.

**Reduced Phase-to-Phase Voltage Conditions**

The relay contact closing time for a given variation in phase-to-phase voltage can be determined by reference to the conversion curve shown in figure 3, and use of the time curves in figures 4 and 5.

To determine the contact closing time for a reduced phase-to-phase voltage, it is necessary to convert the reduced delta voltage triangle AB'C' to three-phase voltage or equilateral triangle A''B''C''.

Voltage triangle ABC represents the normal

three-phase delta voltage; 120 volts phase-to-phase.

Assume BC voltage is reduced 50% and the CP relay high voltage contact is set to close at 110 volts, and the low voltage contact at 90 volts.

Reference to the curve in figure 3 indicates that for a 50% reduction in phase-to-phase voltage, the equivalent three-phase voltage triangle area, A''B''C'', is 71% of the normal voltage area ABC; i.e., 71% of 120 volts or 85.2 volts phase-to-phase. (85.2 ÷ 90 × 100% = 94.7% of low voltage contact setting.)

Since the 85.2 volt value is below the 90 volt low voltage contact setting, the low voltage contact will close in 8.25 seconds. This time value is read from figure 4.

This equivalent three-phase voltage A''B''C'' is made up of 75% positive sequence voltage (.75 × 120 = 90 volts) and 25% negative sequence voltage (.25 × 120 = 30 volts). These values are read from figure 3.

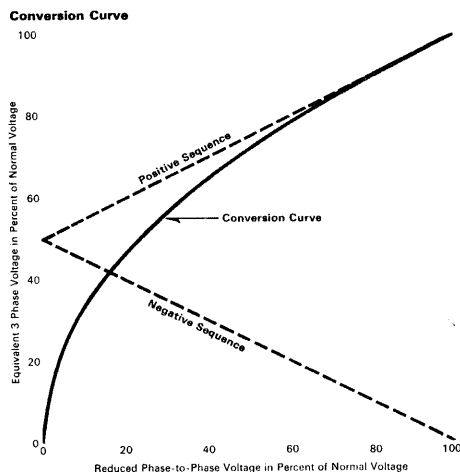
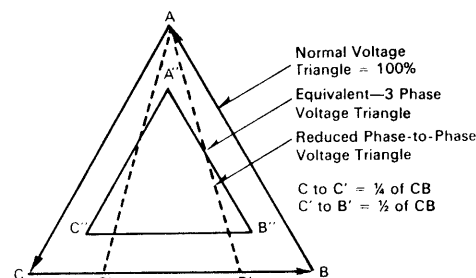


Fig. 3



Note: Torque of CP is equal under different voltage conditions when area of voltage triangles are equal.

**Time Curves (For 120 Volt Relays)①**

**Undervoltage**

Voltage suddenly dropped from rated 120 voltage to voltages indicated on the abscissa of curve plot.

**Overvoltage**

Voltage suddenly raised from zero volts to voltage indicated on abscissa of curve plot.

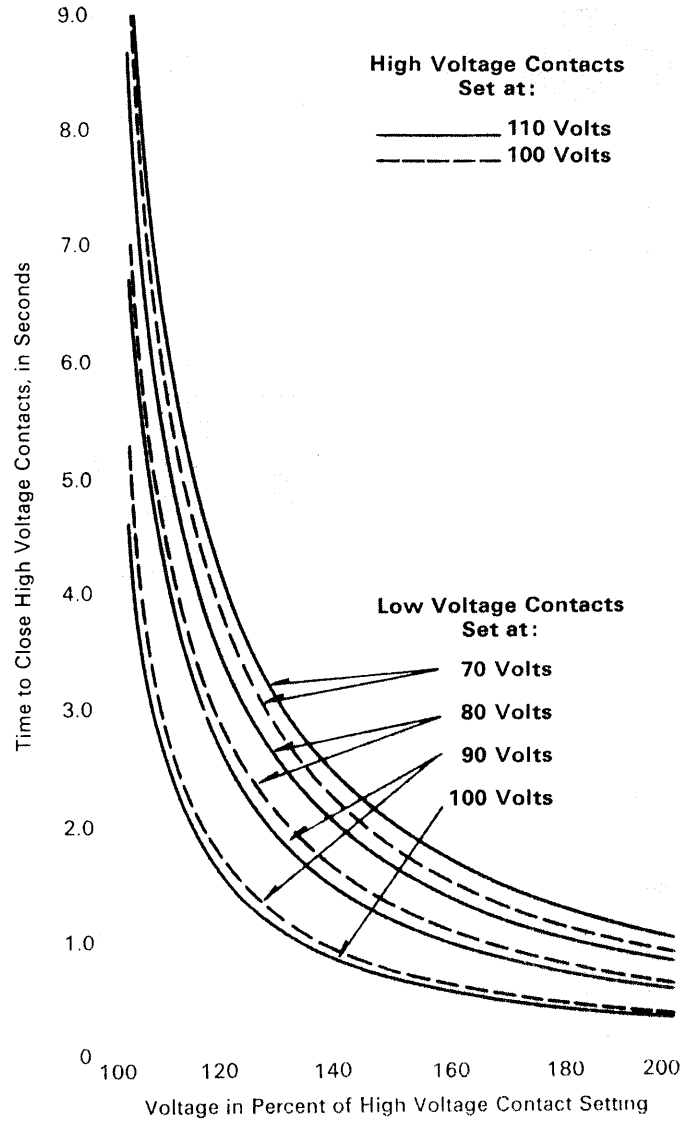
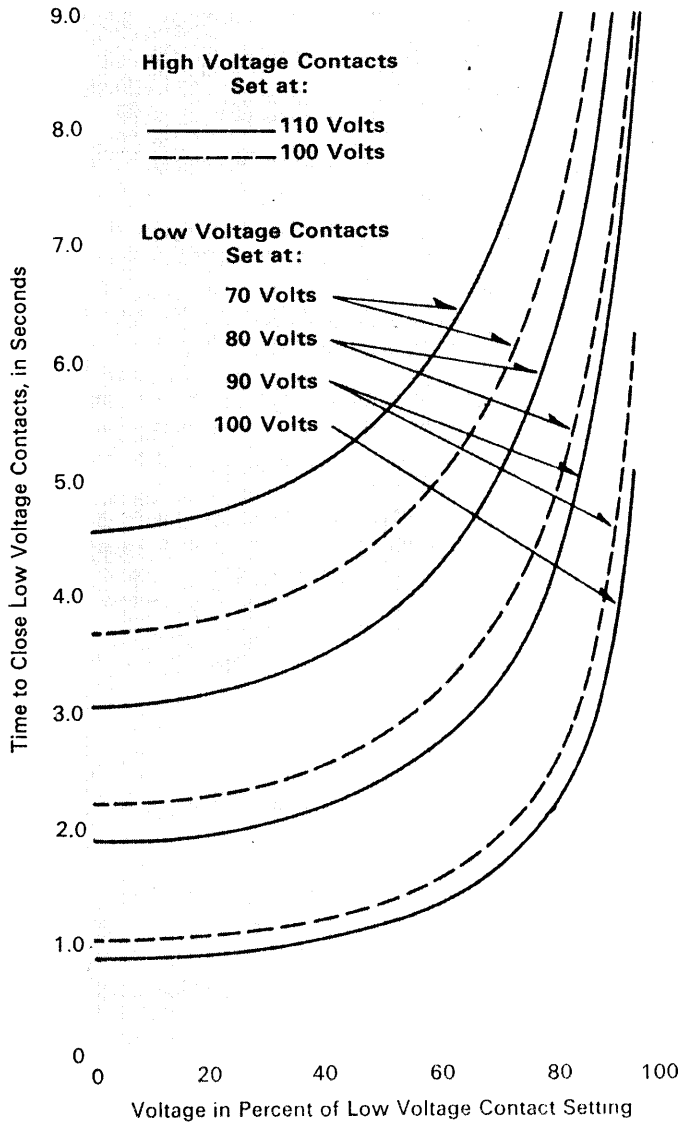


Fig. 4

471071 Fig. 5

471072

① For 240 volt relays, double the indicated voltage values on above curves. For 480 volt relays, multiply indicated voltage by 4. Curves are also valid for simultaneous change of three-phase voltage.

**Internal Wiring**

**Relay — Type CP Reverse Phase — 3 Phase, 3 or 4 Wire — S.P.D.T. Contacts with Indicating Contactor Switches High & Low Voltage Circuit — in Type FT-11 Case**

**Note:** Contact is in the Left Hand Position when the Voltage is Low or the Phase Reversed. (Front View)

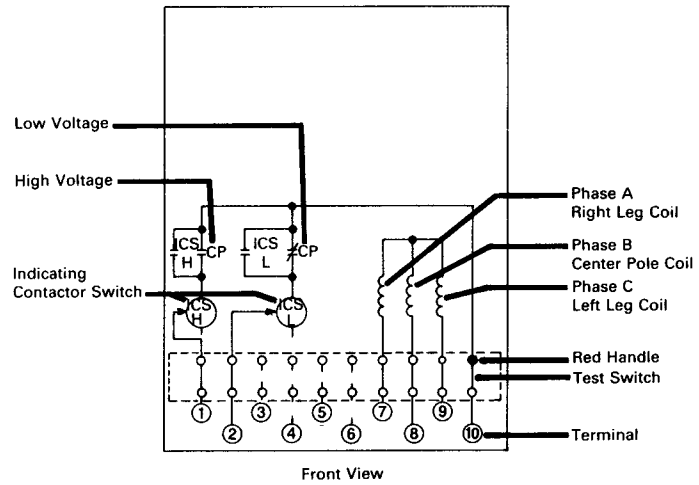


Fig. 6

9649A40

**External Wiring**

**External Schematic Diagram of the Type CP Relay in the Type FT-11 Case**

**Device Number Chart**

- 47-Reverse Phase Relay, Type CP
- 47-1)-
- 47-2)-Phase 1,2, and 3 Coils Respectively
- 47-3)-
- 52-Power Circuit Breaker
- TC-Breaker Trip Coil
- a-Breaker Auxiliary Contact

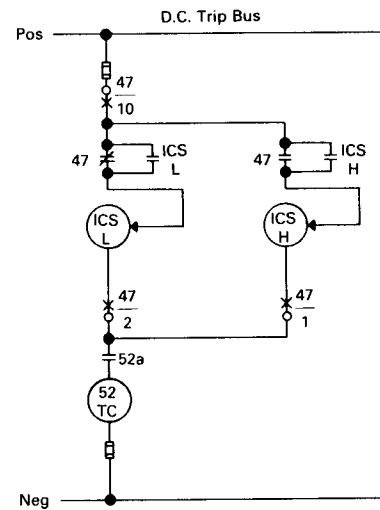
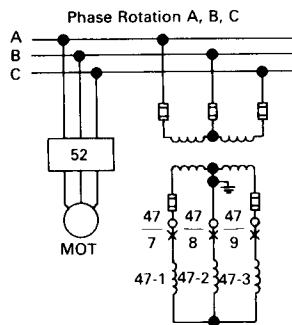


Fig. 7

9649A43

**Shipping Weights and Carton Dimensions**

Relay Type	Case Type	Weight, Lbs.		Domestic, Shipping Carton Dimensions, Inches
		Net	Shipping	
CP	FT-11	7	10	9 x 9 x 10

**Further Information**

List Prices: PL 41-020  
 Technical Data: TD 41-025  
 Instructions: IL 41-222.2  
 Renewal Parts: RPD 41-920  
 Flexitest Case Dimensions: DB 41-076  
 Contactor Switches: DB 41-081  
 Other Protective Relays:  
 Application Selector Guide, TD 41-016



December, 1990  
Supersedes TD 41-020, Types CP on  
page 55, dated November, 1987  
Mailed to: E, D, C/41-200A

For Protection of Motors, Generators,  
Transformers and Station Bus

## Type CP Reverse Phase Voltage Relay

### Three Phase, Over or Undervoltage, Reverse Phase, Time Delay (Device Number: 47)

Type and Time Curve	Application	Contacts	Indicating Contactor Switch ③	Volts: Ac		Control Volts: Dc	Relay Data		Case Size
				Nominal	Adjustable Range		Internal Schematic	Style Number	
CP①	Undervoltage or Reverse Phase	Spdt-cc and co⑦	None	120	70-120	.....	183A962	289B415A09⑤	FT-11
				240	140-240	.....		289B415A10	
				480	280-480	.....		289B415A22	
			0.2/2.0 amps dc	120	70-120	.....	183A960	289B415A13⑥⑤	
				240	140-240	.....		289B415A14⑥	
				480	280-480	.....		289B415A24	
			120	70-120	.....	183A961	289B415A17⑥		
				240	140-240		.....	289B415A18⑥	
				480	280-480		.....	289B415A26⑥	
			120	70-132	.....	9649A40	1482B92A21⑩		
				208	120-242		.....	1482B92A27⑩	
				240	140-264		.....	1482B92A23⑩	
				480	280-528		.....	1482B92A25⑩	
			Spdt-cc and co⑧	0.2/2.0 amps dc	120	70-120	24/48	184A202	
120	70-120	125/250			289B889A11⑥				
240	140-240	24/48			184A202	289B889A21⑥			
240	140-240	125/250				289B889A23⑥			
480	280-480	24/48				289B889A24⑥			
480	280-480	125/250	289B889A25⑥						
None	120	70-120	230 (ac)	184A469	289B889A13				

⑤ Denotes item available from stock.

① 50-Hertz relays and auxiliaries can be supplied at same price. Order "Similar to Style Number . . . . ., except 50 Hertz".

③ ICS: Indicating Contactor Switch (dc current operated) having seal-in contacts and indicating target which are actuated when the ICS coil is energized at or above pickup current setting. Suitable for dc control voltages up to and including 250 volts dc. Two current ranges available: (1) 0.2/2.0 amps dc, with tapped coil. (2) 1.0 amp dc, without taps.

Rating of ICS unit used in specific types of relays is shown in price tables. All other ratings must be negotiated.

When ac current is necessary in a control trip circuit, the ICS unit can be replaced by an ACS unit.

The ACS unit may be supplied in place of an ICS unit at no additional cost. Specify system voltage rating on order.

⑦ Electrically common moving contact.

⑧ Electrically independent front and back contact circuits.

⑨ ICS in high voltage contact circuit only.

⑥ ICS in low voltage contact circuit only.

⑩ Separate ICS in low and high voltage contact circuits.